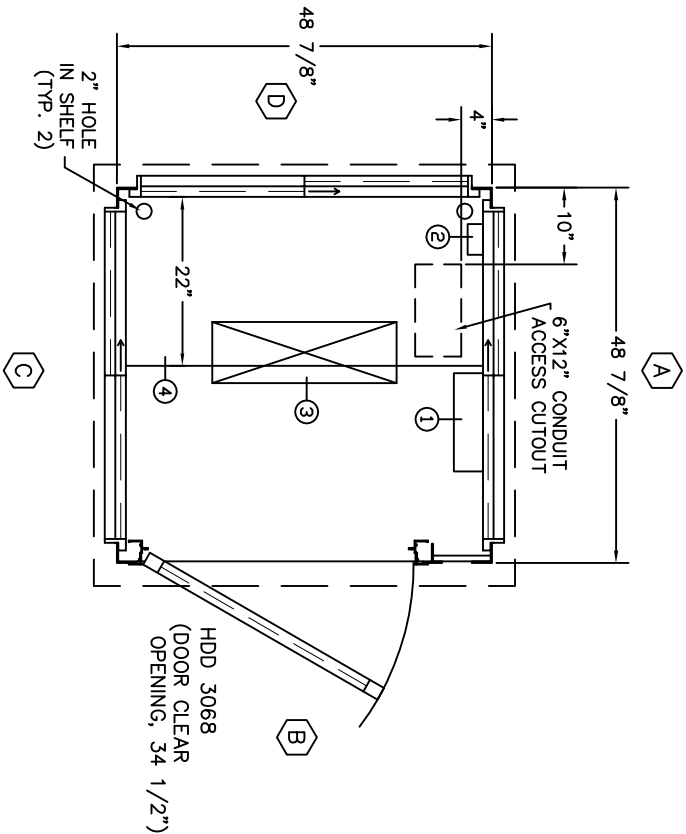


WALL SECTION DETAIL



PLAN VIEW

DURALUMINUM 4848SW BUILDING NOTES :

- ① 100 AMP SINGLE PHASE 12 CIRCUIT MAIN LOAD CENTER
- ② 115V DUPLEX, 230V OUTLET
- ③ 40 WATT SURFACE MTD. FLUORESCENT LIGHT
- ④ 22" DEEP SHELF
- * 3" OVERHANG EXTERIOR MEMBRANE ROOF
- * 1- HEAVY DUTY ALUMINUM DOOR 3068 W/HALF GLAZING, ADA LEVER LOCKSET
- * GLAZING- CLEAR TEMPERED GLASS
- * ALUMINUM TREADPLATE FLOOR

THESE DRAWINGS AND SPECIFICATIONS HAVE BEEN PRODUCED IN ACCORDANCE WITH PORTA-KING'S PROPOSAL AND THE PROJECT DESIGN. THE PROJECT WILL BE MANUFACTURED IN ACCORDANCE TO THIS INFORMATION AS SUBMITTED. THE SECURING OF BUILDING PERMITS AND COMPLIANCE WITH APPROPRIATE BUILDING CODES IS NOT THE RESPONSIBILITY OF PORTA-KING, BUT IS THE RESPONSIBILITY OF THE PURCHASER OF THE BUILDING.

APPROVED AS SUBMITTED, RELEASE FOR MANUFACTURING

APPROVED AS NOTED, RELEASE FOR MANUFACTURING

REVISE AND RESUBMIT

SIGN : _____ DATE : _____

PORTA-KING BUILDING SYSTEMS	
4133 SHORELINE DRIVE 1-800-BUILDING 314-291-4200	EARTH CITY, MISSOURI 63045 FAX 314-291-2857
TITLE	MODEL 4848SW
JOB NO.	DRAWN BY
SCALE	DATE
	SHEET

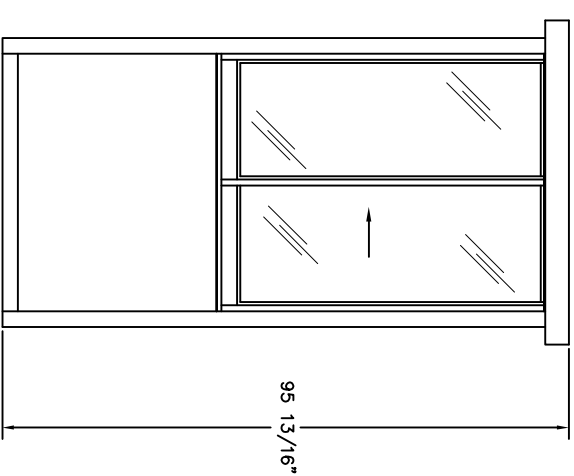
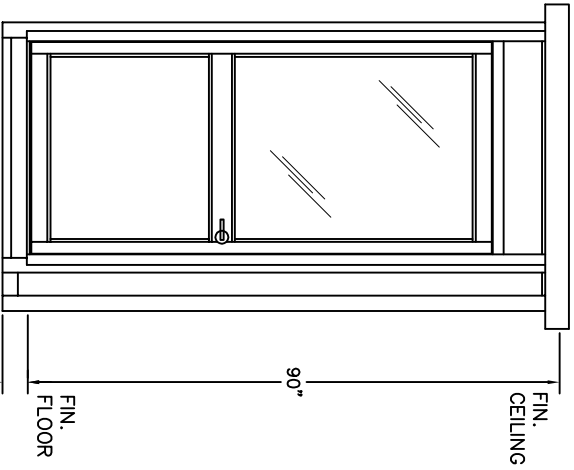
THESE DRAWINGS AND SPECIFICATIONS HAVE BEEN PRODUCED IN ACCORDANCE WITH PORTA-KING'S PROPOSAL AND THE PROJECT DESIGN. THE PROJECT WILL BE MANUFACTURED IN ACCORDANCE TO THIS INFORMATION AS SUBMITTED. THE SECURING OF BUILDING PERMITS AND COMPLIANCE WITH APPROPRIATE BUILDING CODES IS NOT THE RESPONSIBILITY OF PORTA-KING, BUT IS THE RESPONSIBILITY OF THE PURCHASER OF THE BUILDING.

APPROVED AS SUBMITTED, RELEASE FOR MANUFACTURING

APPROVED AS NOTED, RELEASE FOR MANUFACTURING

REWSE AND RESUBMIT

SIGN : _____ DATE : _____



PORTA-KING  **BUILDING SYSTEMS**

4133 SHORELINE DRIVE EARTH CITY, MISSOURI 63045
 1-800-BUILDING 314-291-4200 FAX 314-291-2857

TITLE MODEL 4848SW

JOB NO.

DRAWN BY SHEET

SCALE

DATE